



N CLK Cylindrical Loadcell



Manufactured according to OIML R60 standards

Features

- Special Steel
- Bidirectional Tension and Compression
- Combined Error $\leq \pm 0.05\%$
(0.1% capacities 10000 kg and 20000 kg)
- Protection Class IP67



Capacity from 2000 kg to 20000 kg

CAPACITY	kg	IECEx Ex	EAC Ex	EAC	NET WEIGHT (kg)	CODE
2000		•	•	•	4.2	CLK2000
5000		•	•	•	5.8	CLK5000
10000		•	•	•	10.5	CLK10000
20000		•	•	•	11	CLK20000

ON REQUEST

Certifications

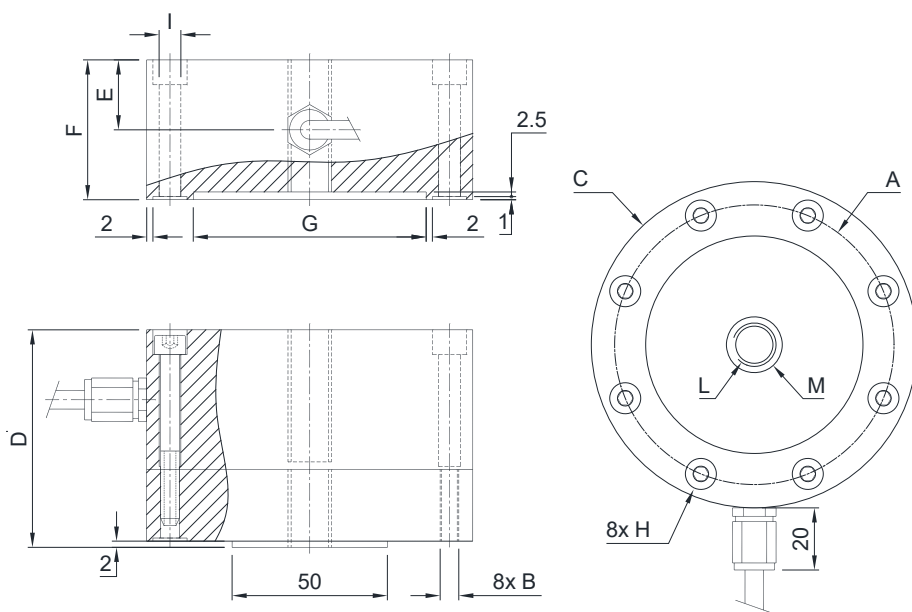
EAC Complies with the Eurasian Custom Union standards
CERTIFICATIONS ON REQUEST

Ex ATEX II 1GD (zone 0-1-2-20-21-22)

IECEx IECEx (zone 0-1-2-20-21-22)

EAC Ex Complies with the Eurasian Custom Union standards for use in potentially explosive atmospheres

Dimensions (mm)



	2000 kg	5000 kg	10000 kg 20000 kg
A	Ø90	Ø104.5	Ø133
B	M6x1	M8x1.25	M10x1.5
C	Ø105	Ø120	Ø155
D	70	80	90
E	22.5	25	27.5
F	45	50	55
G	Ø75	Ø84	Ø106
H	M6 x 55	M8 x 65	M10 x 75
I	Ø7	Ø9	Ø11
L	M14x2	M20x1.5	M30x2
M	18	28	50
Weight	4.2 kg	6 kg	10.5-11 kg

Technical Features

Material	Special steel		
Nominal load (E max)	2000 - 5000 kg	10000 - 20000 kg	
Combined error	≤ ±0.05 %	≤ ±0.1 %	
Protection class	IP67		
Rated output	2 mV/V ±0.3%	Input resistance	352 Ω ±3
Temperature effect on zero	0.002% °C	Output resistance	400 Ω ±20
Temperature effect on span	0.002% °C	Zero balance	±1%
Compensated temperature range	-10 °C / +50 °C	Insulation resistance	>5000 MΩ
Operating temperature range	-30 °C / +70 °C	Safe overload (% of full scale)	150%
Creep at nominal load in 30 minutes	0.03%	Ultimate overload (% of full scale)	200%
Max supply voltage without damage	15 V	Deflection at nominal load	0.3 mm

Electrical Connections

Cable length	12 m
Cable diameter	6 mm
Cores	6 x 0.24 mm ²

